

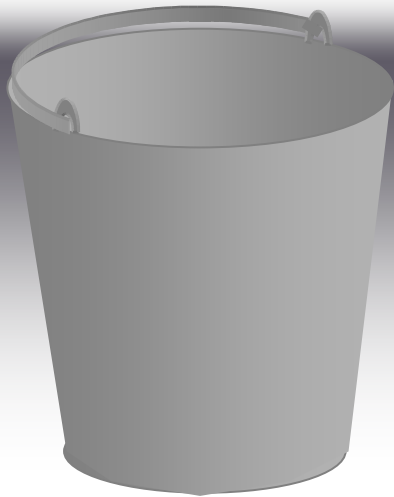
Large format

BLT

Plan adapted by Olivier Vienne (Ecaussines, Belgium)

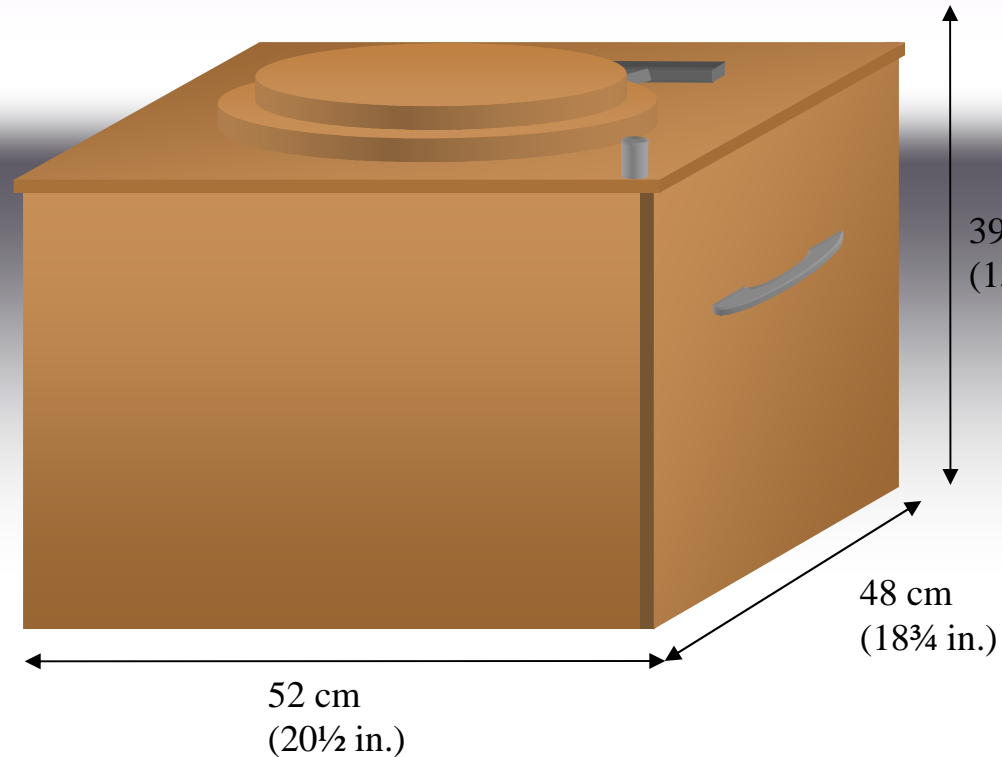
Stainless steel pail

Biolitter toilet



35 cm
(13³/₄ in.)

35 cm
(13³/₄ in.)



39.8 cm
(15¹/₂ in.)

48 cm
(18³/₄ in.)

52 cm
(20¹/₂ in.)

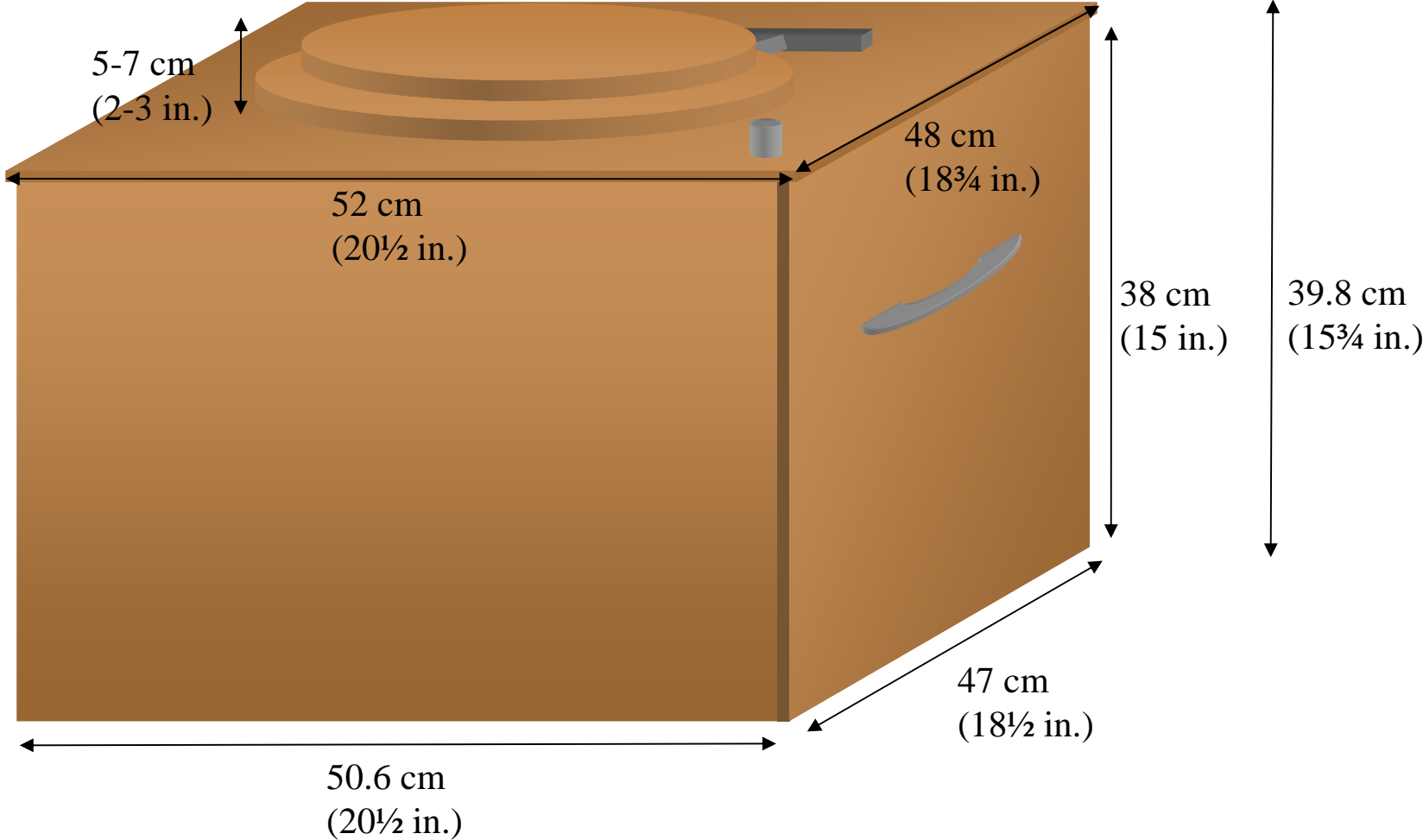
Stainless steel pail: costs about 80 to 100 €

N.B.

You build the cabinet around the pail, and not the other way around. It is therefore wiser to purchase your pail before starting work. The cabinet dimensions will be adapted to the bucket size.

Outside dimensions

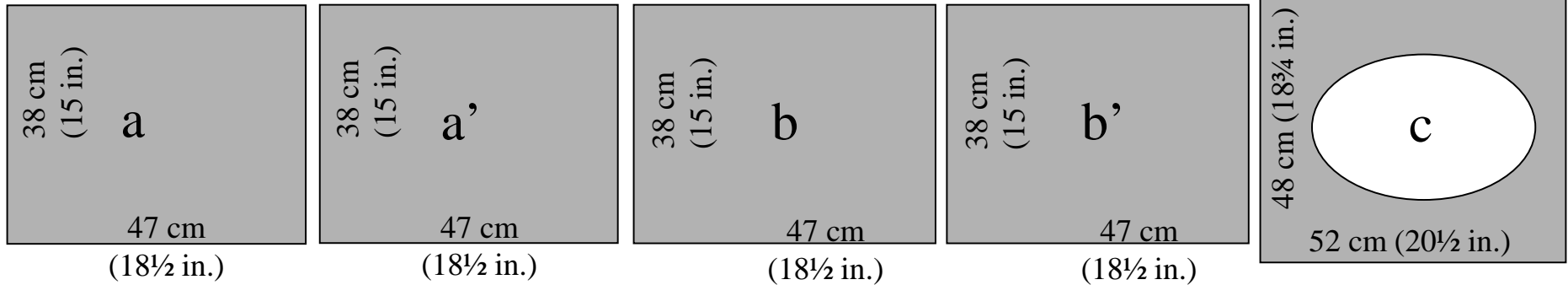
THE PLAN



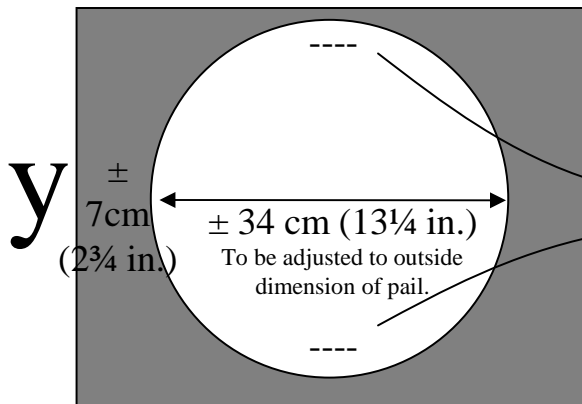
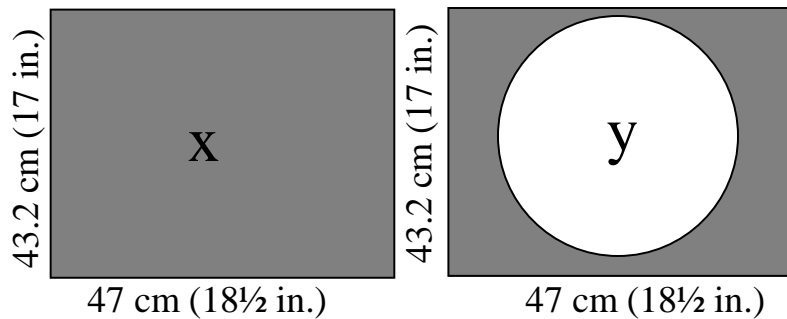
Panel cutout sizes

THE PLAN

Panel thickness 18 mm ($\frac{3}{4}$ in.)



3-ply 6 mm ($\frac{1}{4}$ in.)



- Trace and cut out oval according to seat size and shape by using seat as template.
- The hole must be a bit wider than the seat, for a proper fit.

These measurements depend on the cut-out of panel «**C**». Adjust bucket position with respect to seat position, considering that a deflective urine baffle will be added inside the oval.

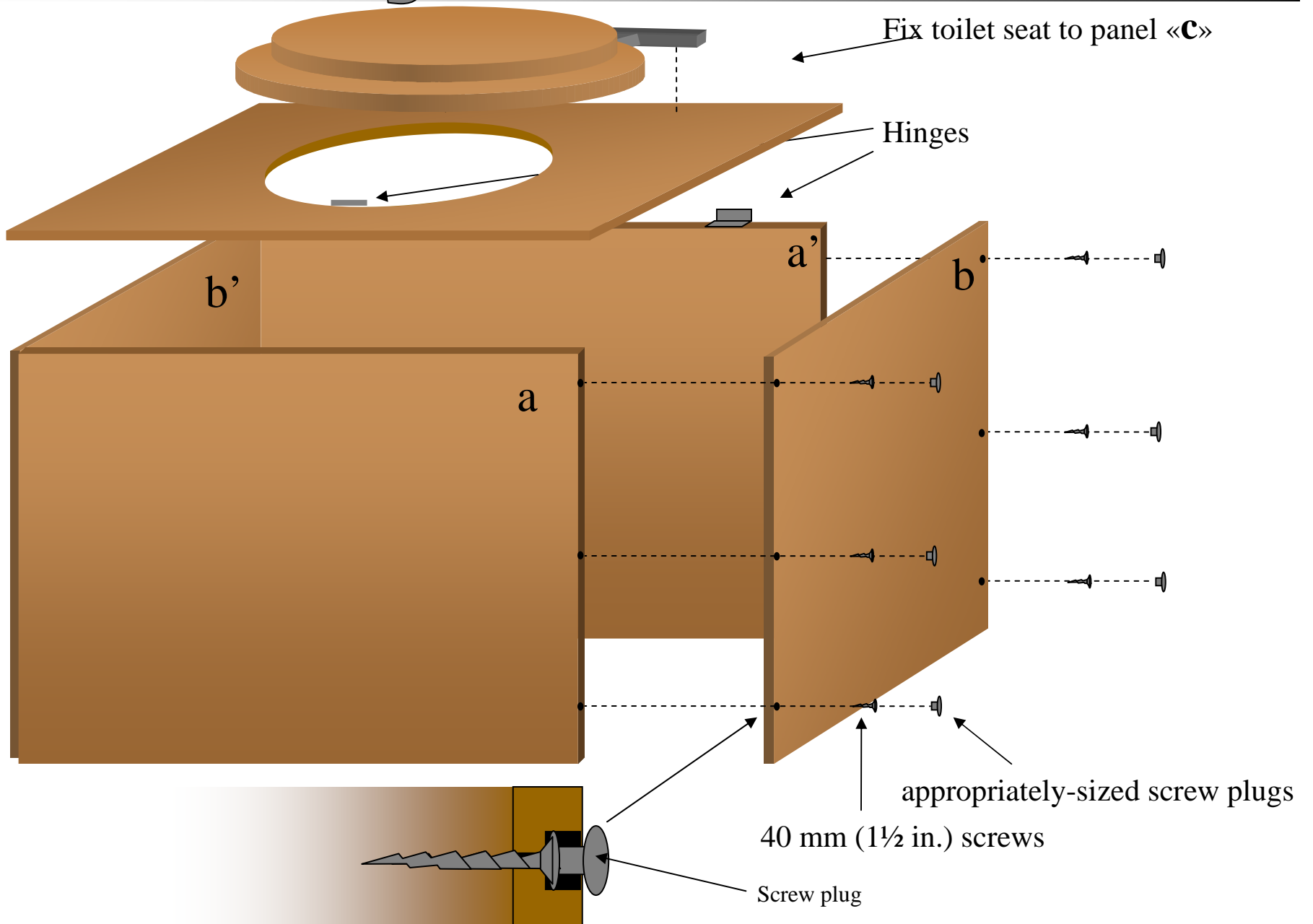
Accessories

THE PLAN

- 1 toilet seat with cover
- 2 brass or stainless steel hinges + adequate screws
- 60 cm (24 in.) slim chain
- 2 handles + 1 assorted knob
- 4 furniture skates (nailed type)
- 180 cm (72 in.) of 40 x 40 mm (2x2) mitre wood blockings
- 15 mm ($\frac{5}{8}$ in.) nails
- 12 x 40 mm ($1\frac{1}{2}$ in.) screws with appropriately-sized screw plugs.
- wood glue
- varnish (preferable)

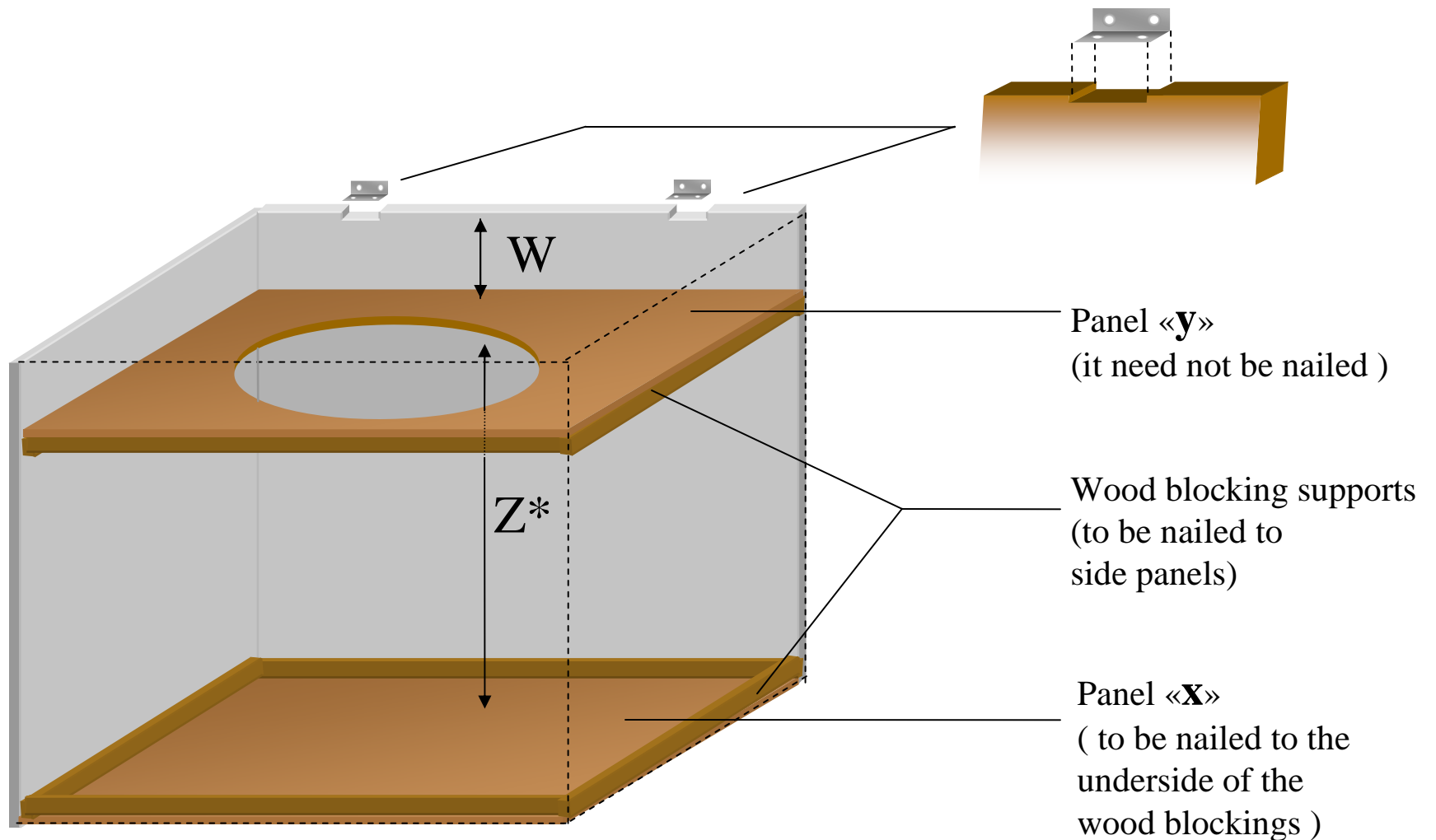
Assembly

THE PLAN



Assembly

THE PLAN



W is a recess to house the pail's handle. W must be as small as possible ! (W depends on the type of pail or bucket size). Z^* depends on the pail height. If the pail is smaller, panel «X» will be adjusted accordingly (positioned higher with respect to the lower edge of the side panels).

Assembly

THE PLAN

Knob used to lift panel «C» for pail removal

